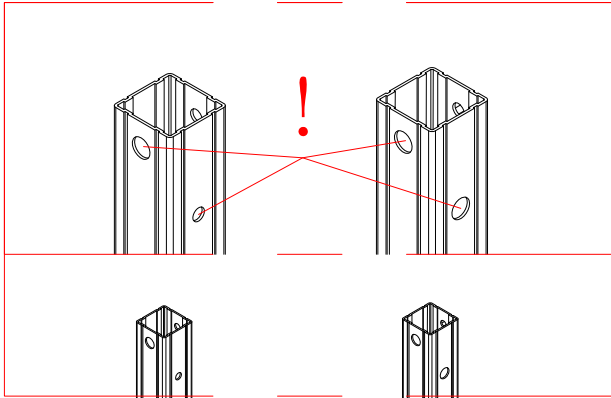
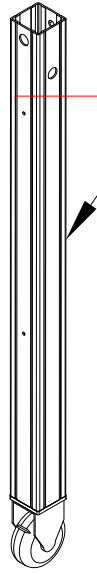


1-0



1

2x



2

2x



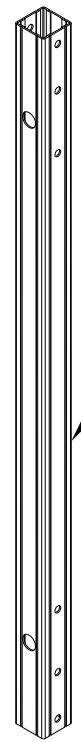
3

1x



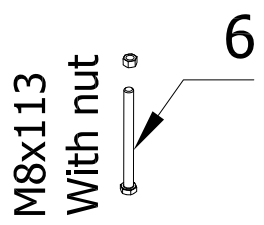
4

2x



5

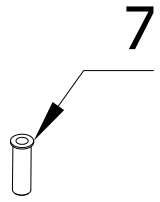
1x



6

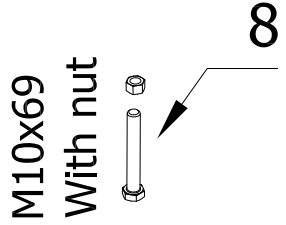
M8x113  
With nut

10x



7

22x

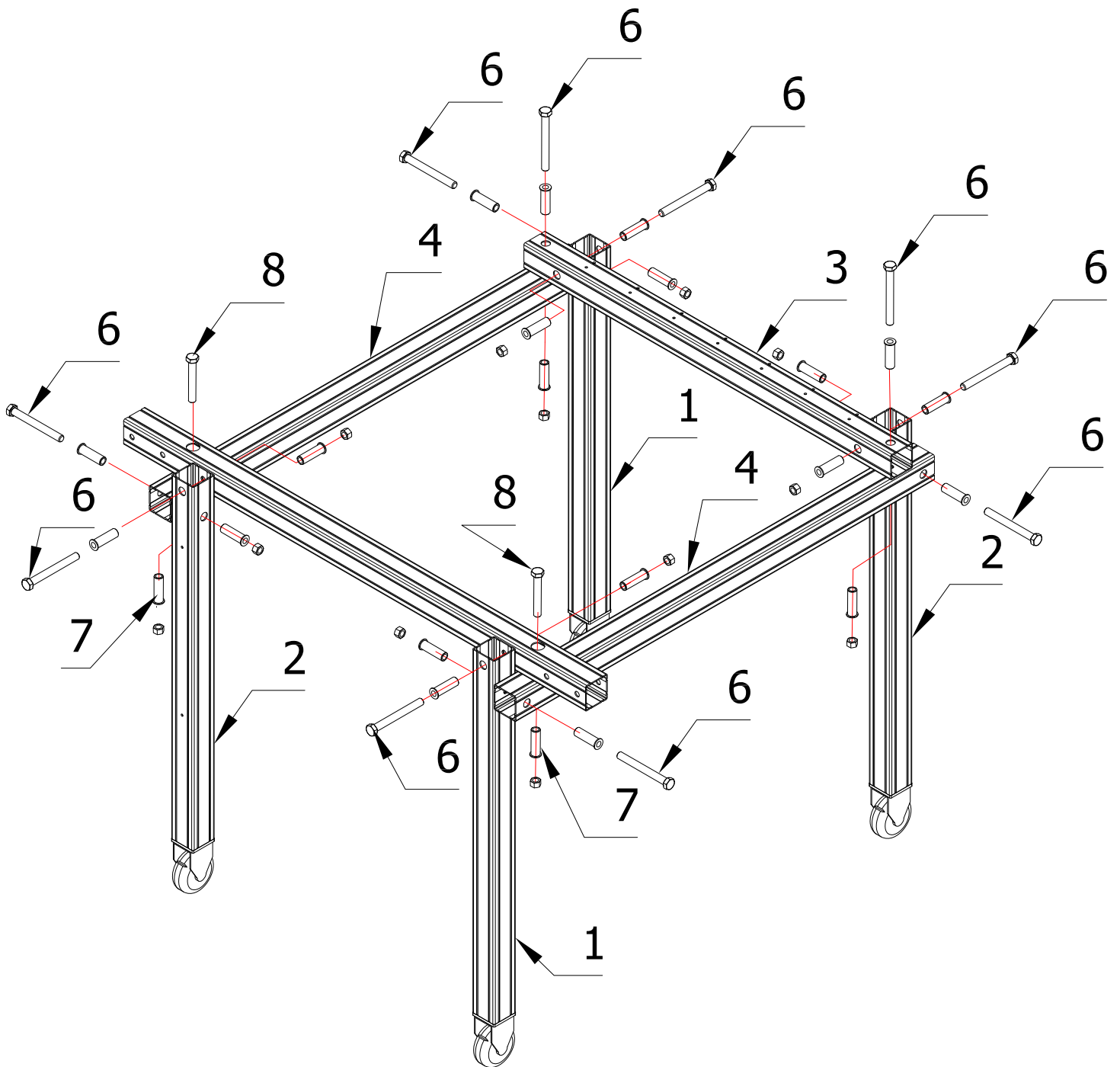


8

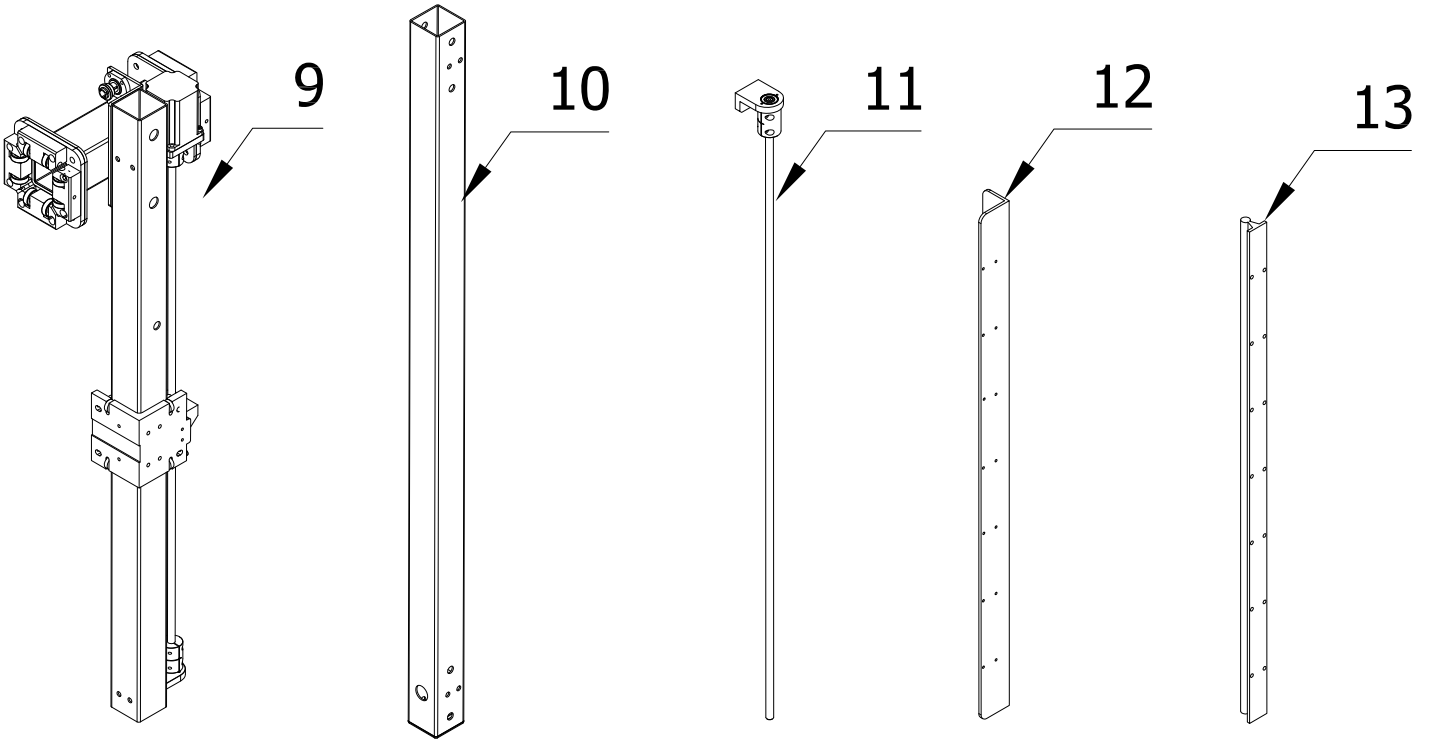
M10x69  
With nut

2x

1-1



# 2-0



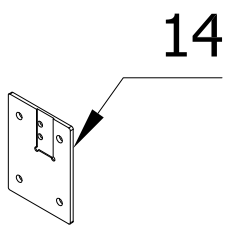
1x

1x

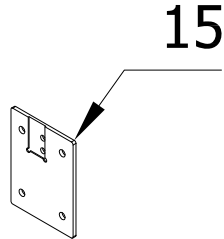
1x

1x

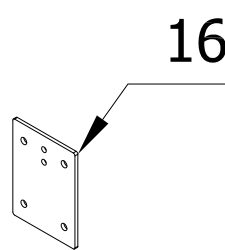
1x



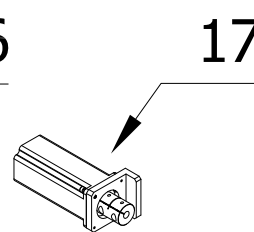
1x



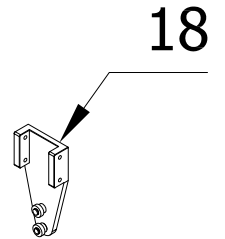
1x



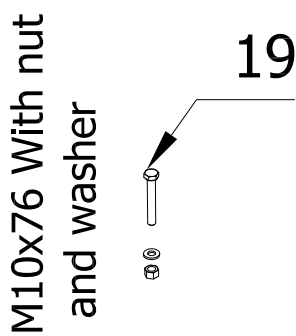
2x



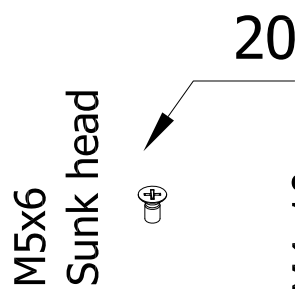
1x



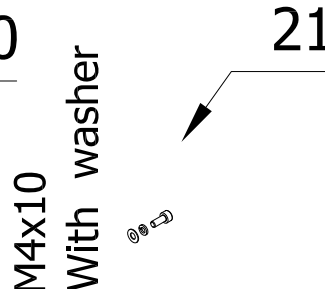
1x



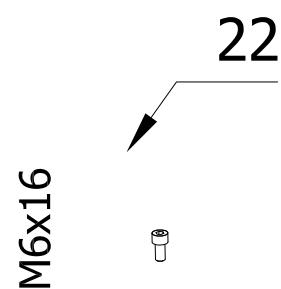
8x



8x

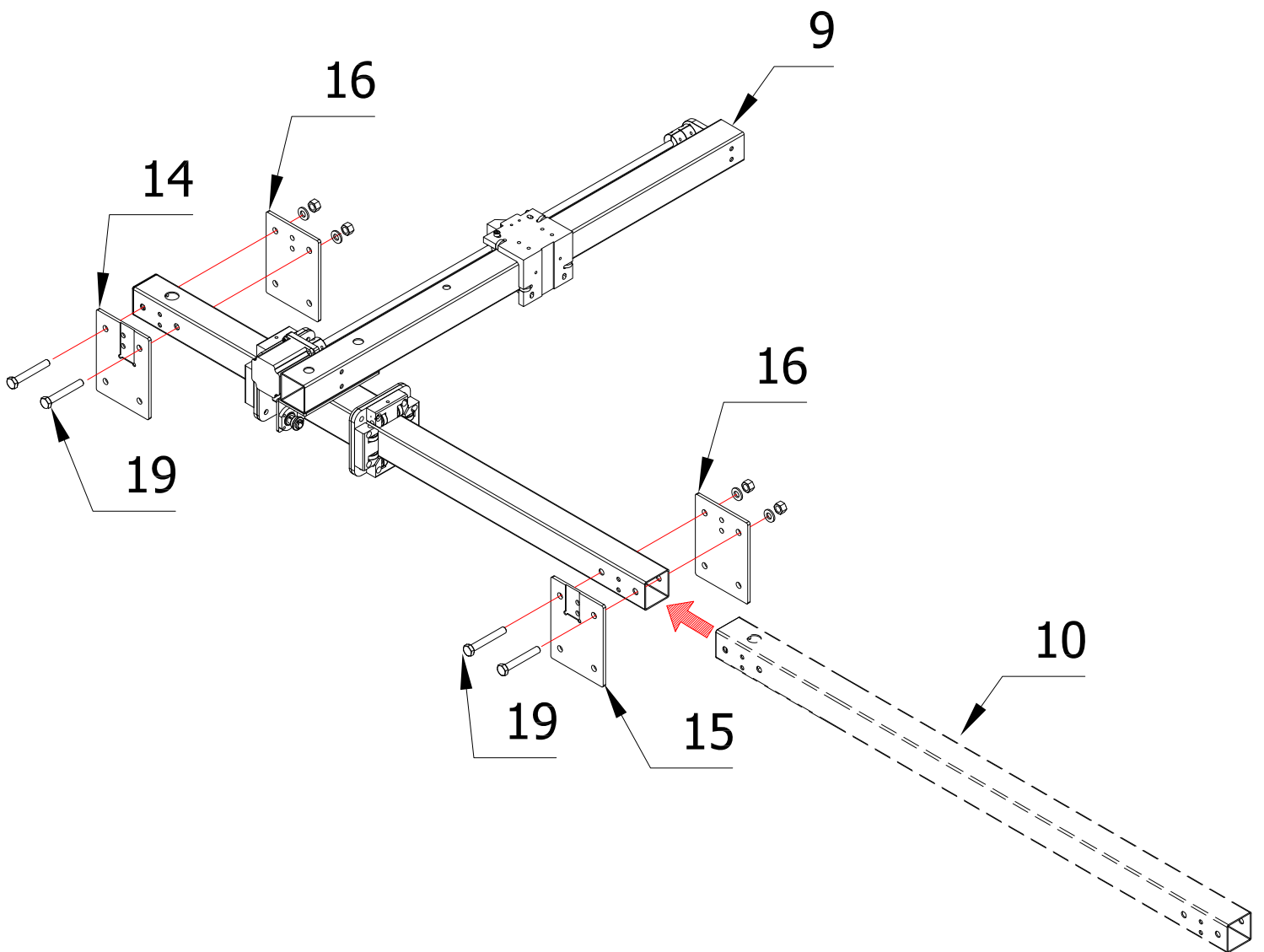


14x

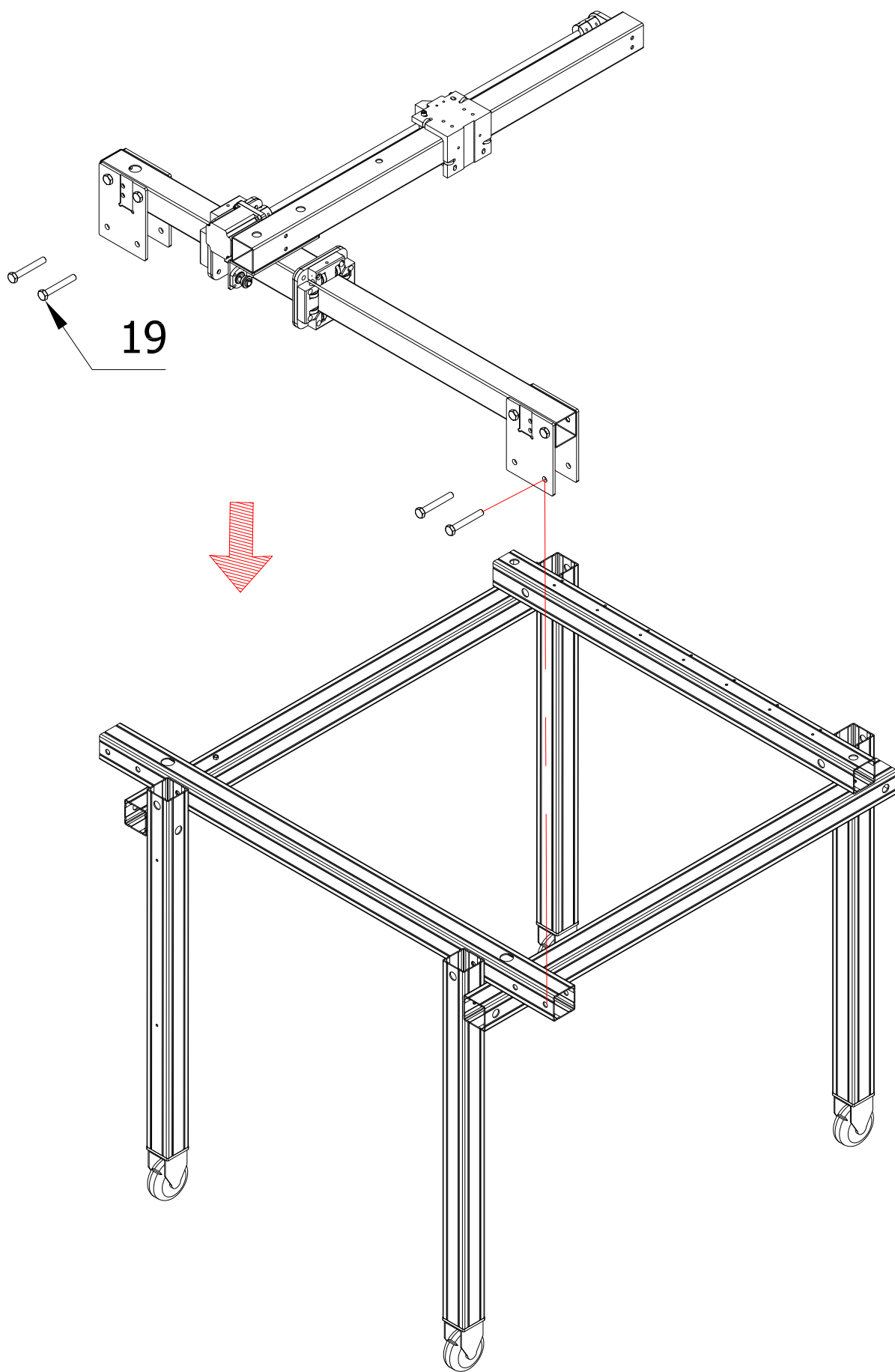


4x

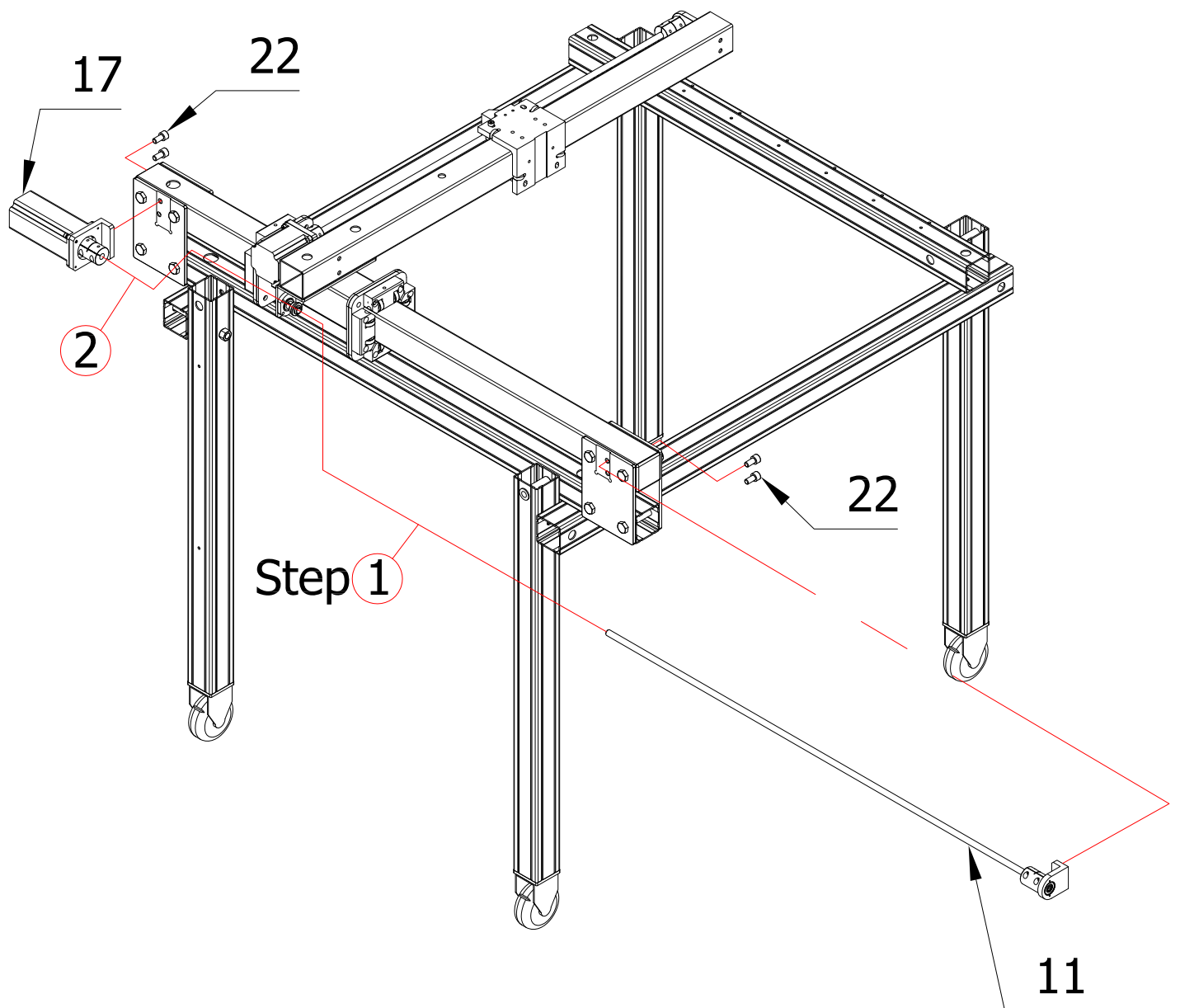
2-1



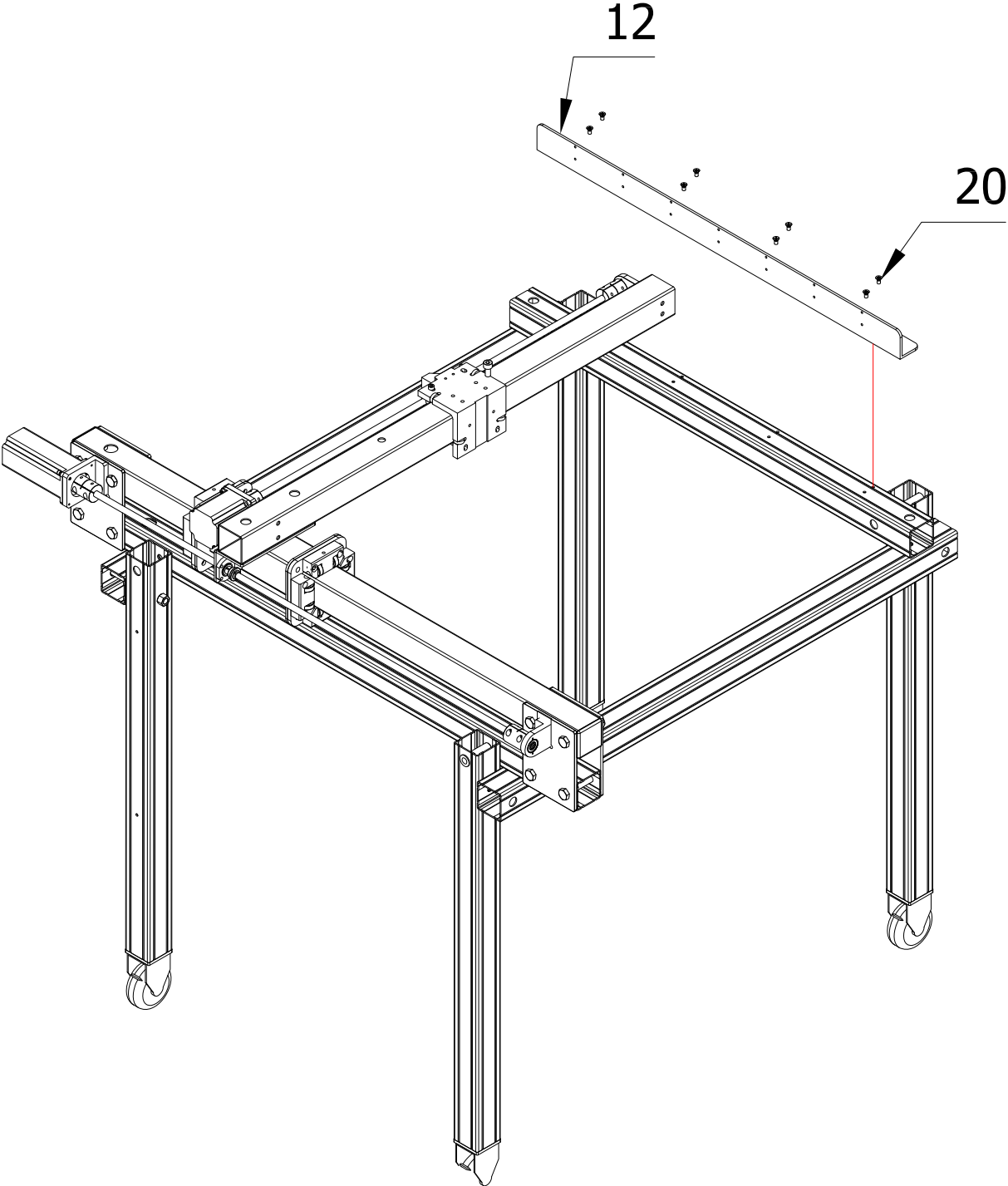
2-2



# 2-3



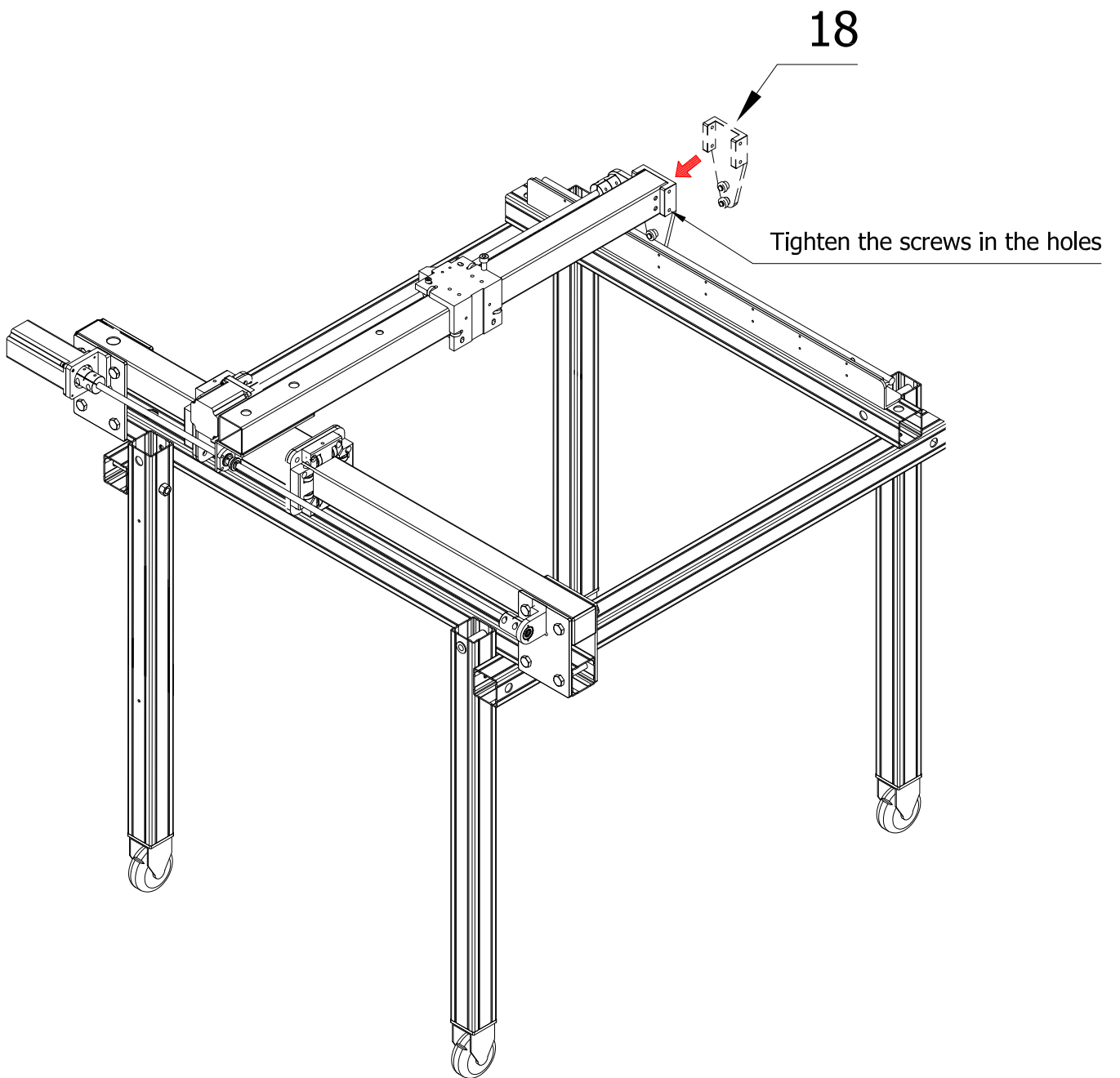
2-4



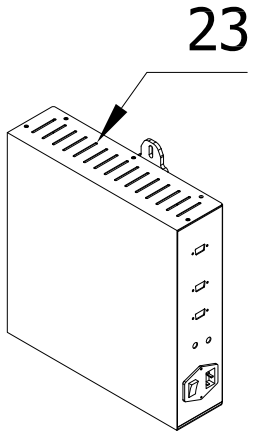




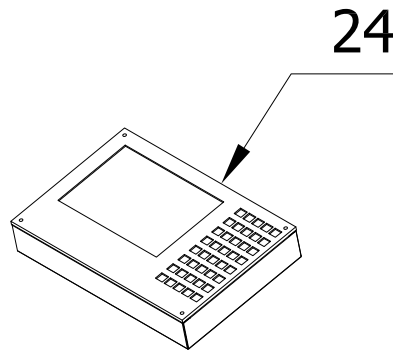
2-6



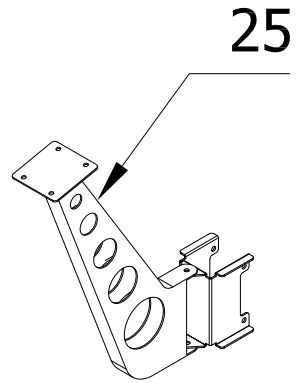
# 3-0



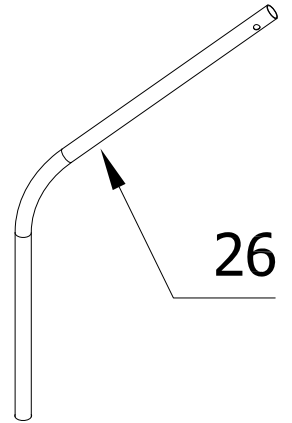
1x



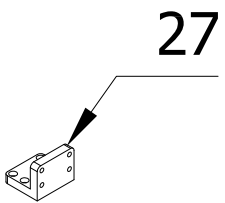
1x



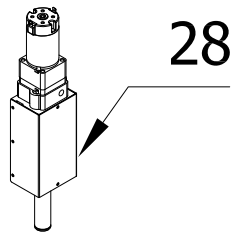
1x



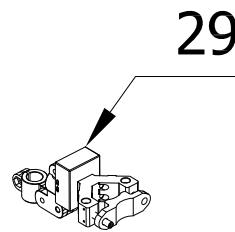
1x



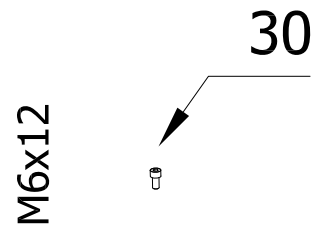
1x



1x

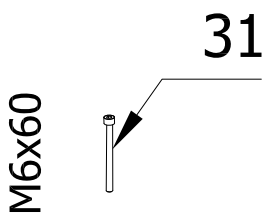


1x



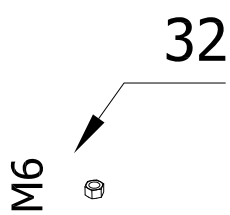
M6x12

8x



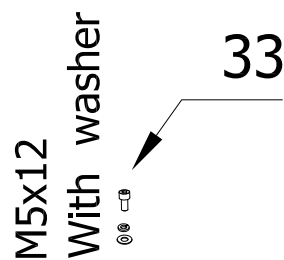
M6x60

2x



M6

2x

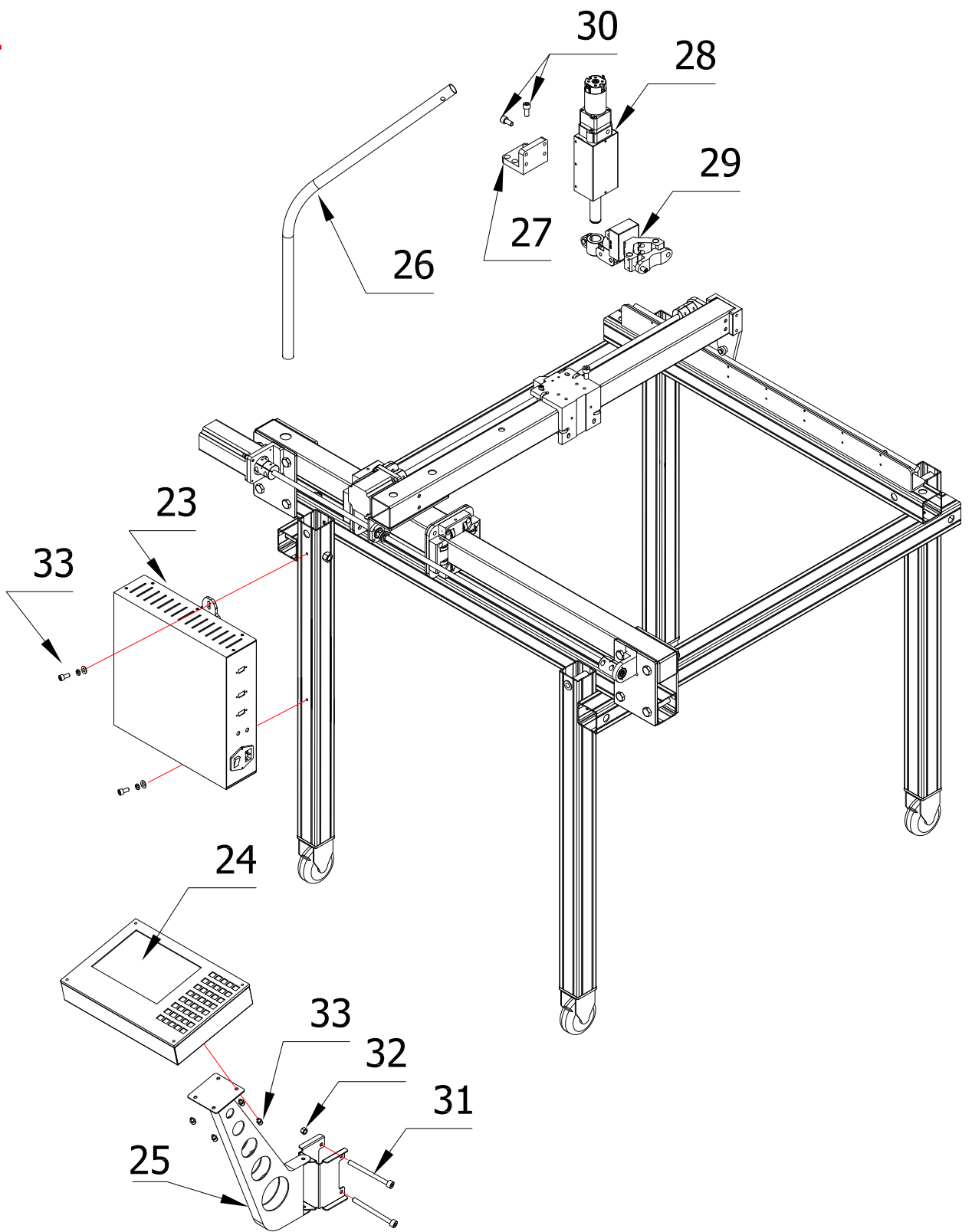


M5x12

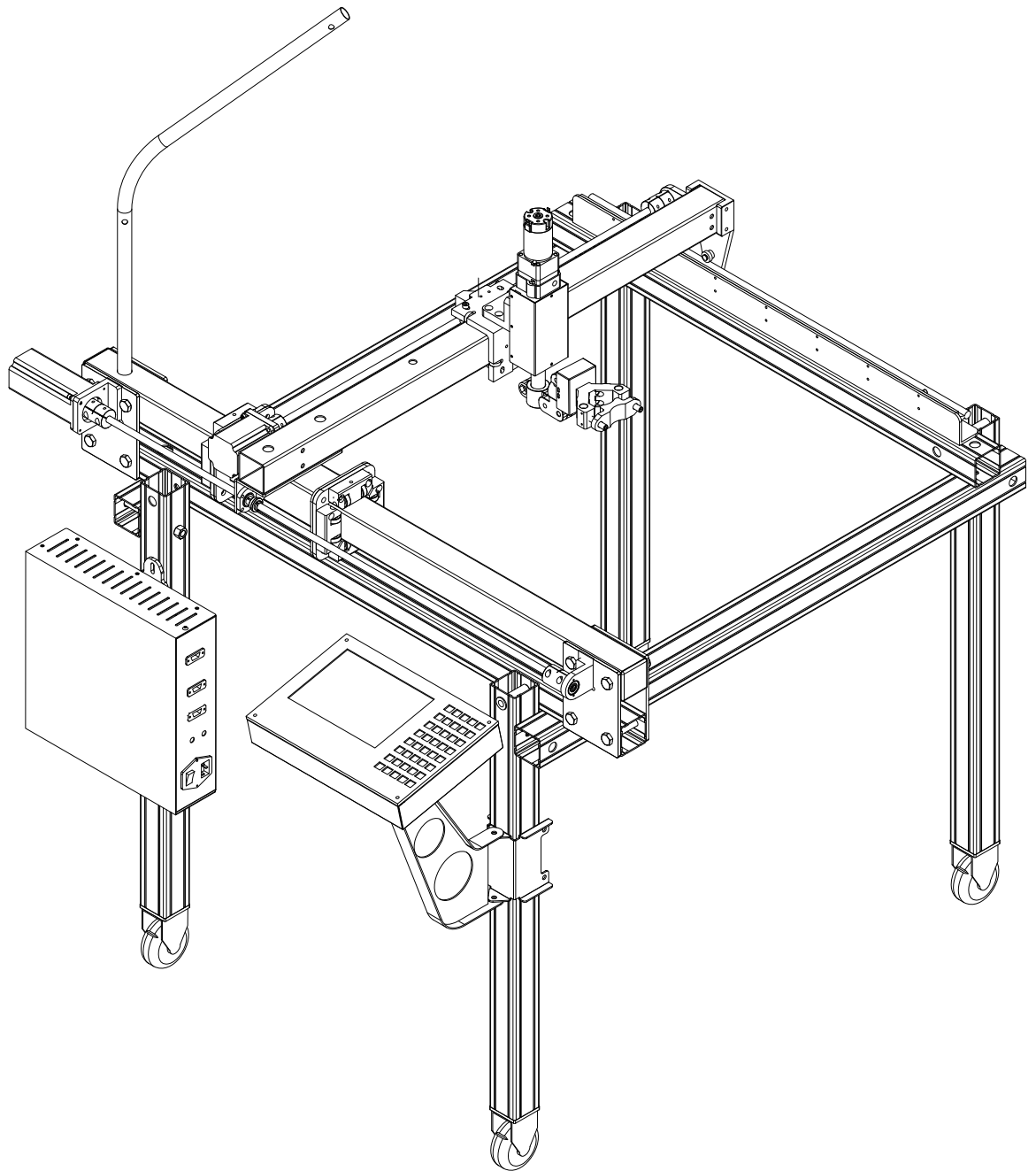
With washer



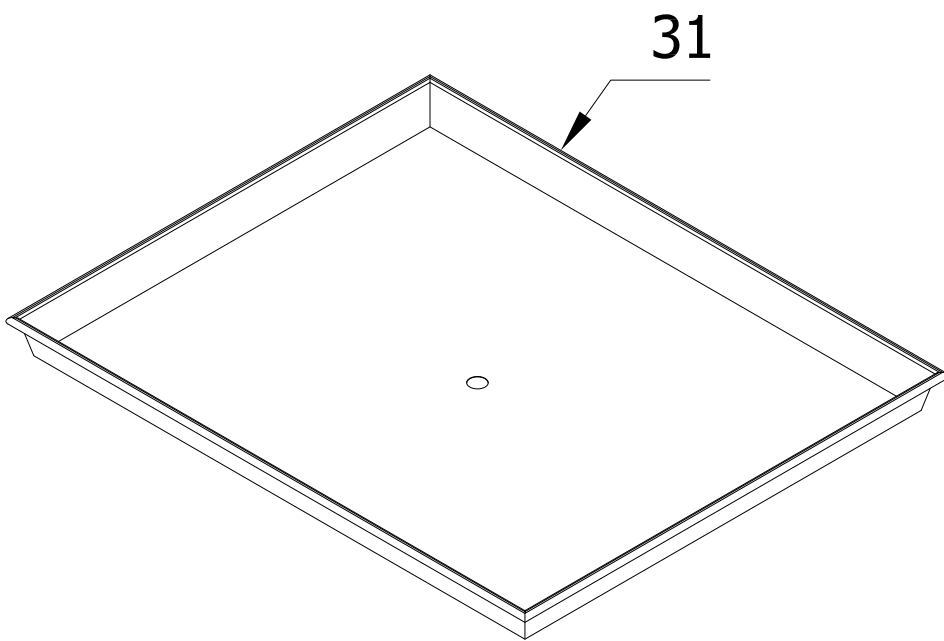
# 3-1



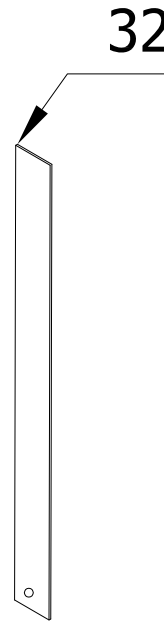
3-2



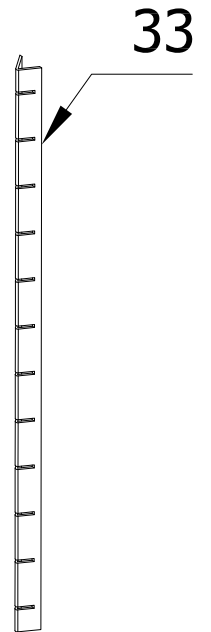
4-0



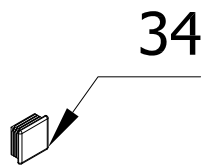
1x



12x

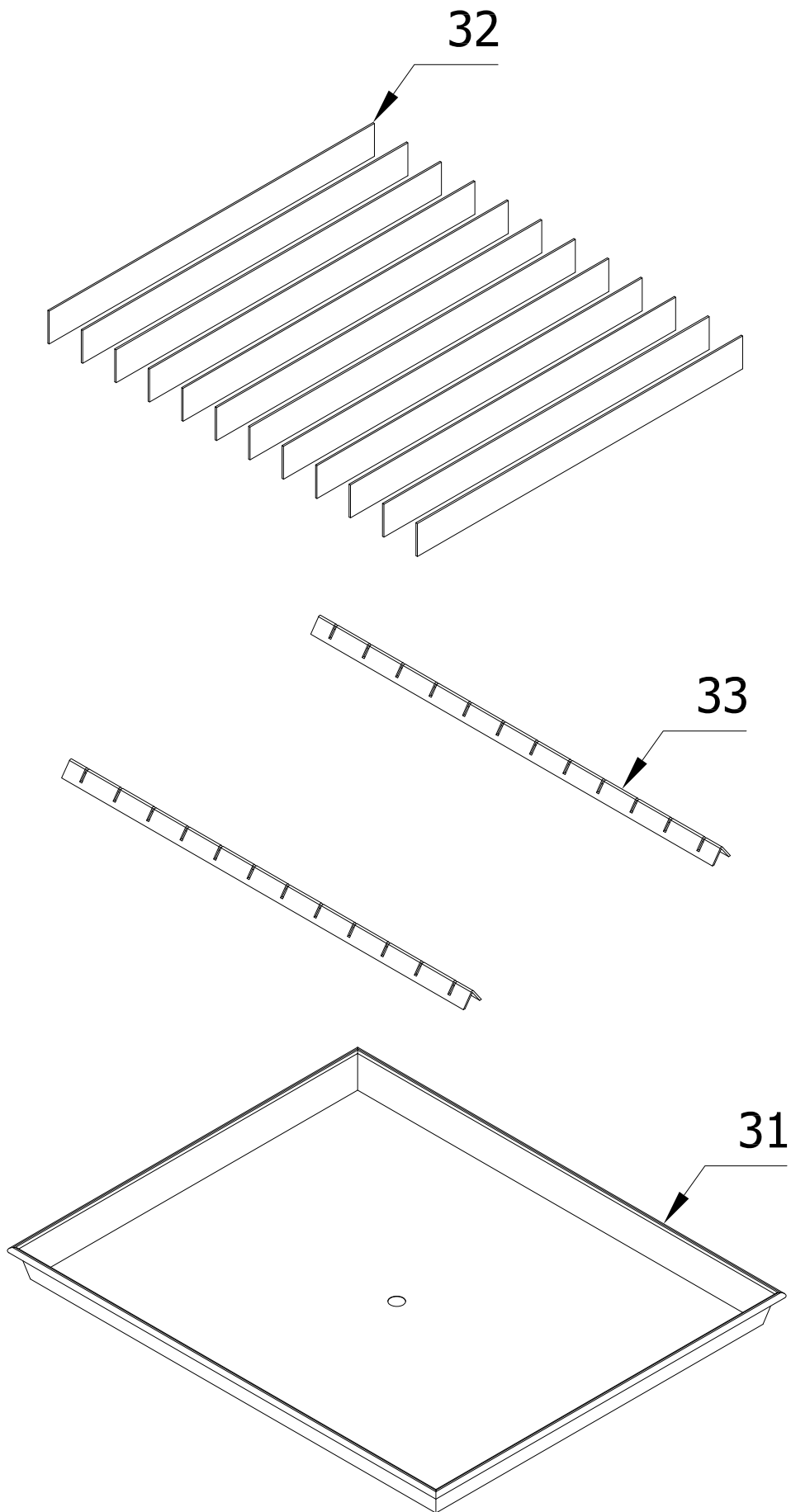


2x

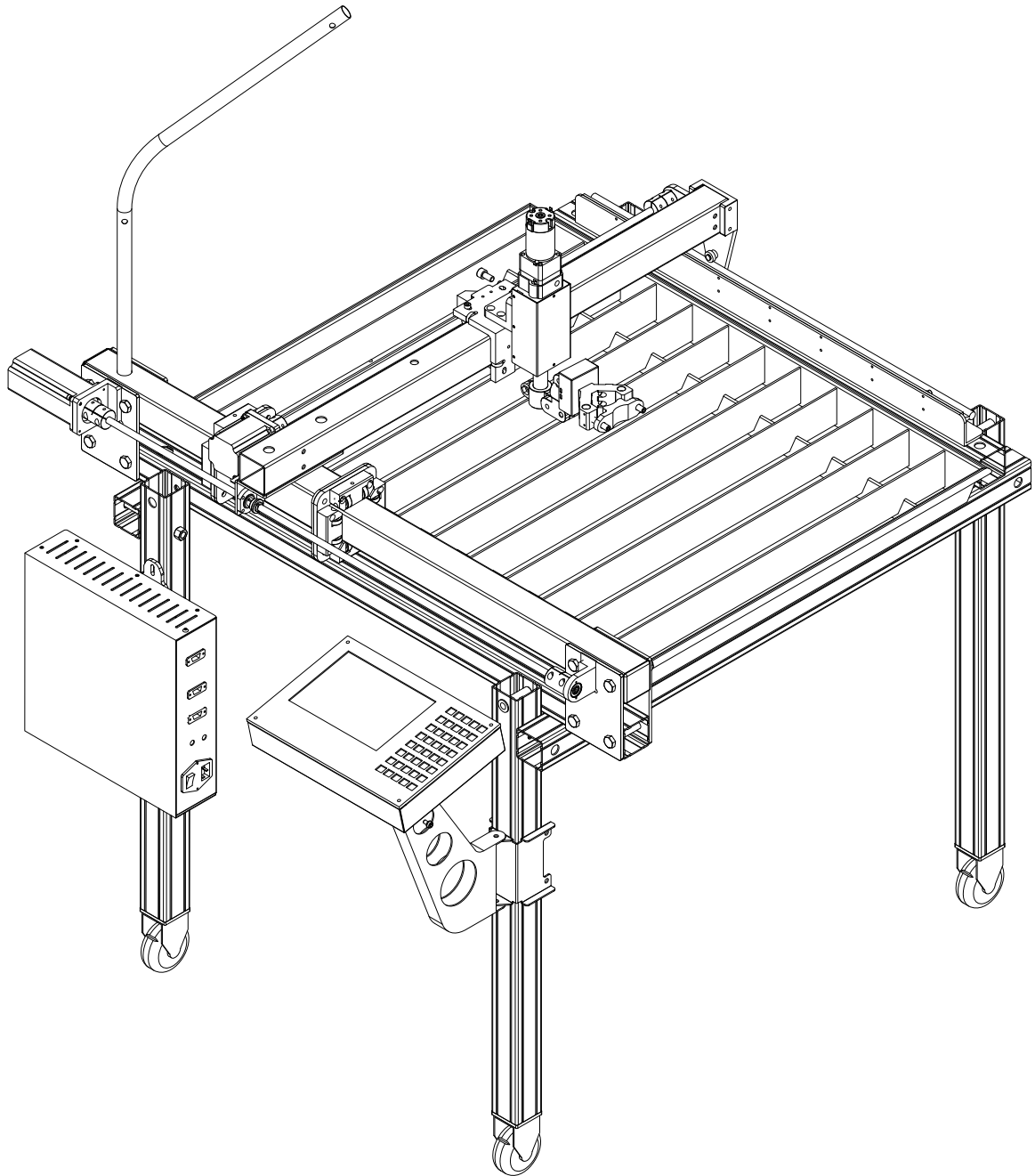


12x

4-1



4-2



# Electrical connection diagram

